



myFlow

Electromechanical wheel-driven operator for swing gates.

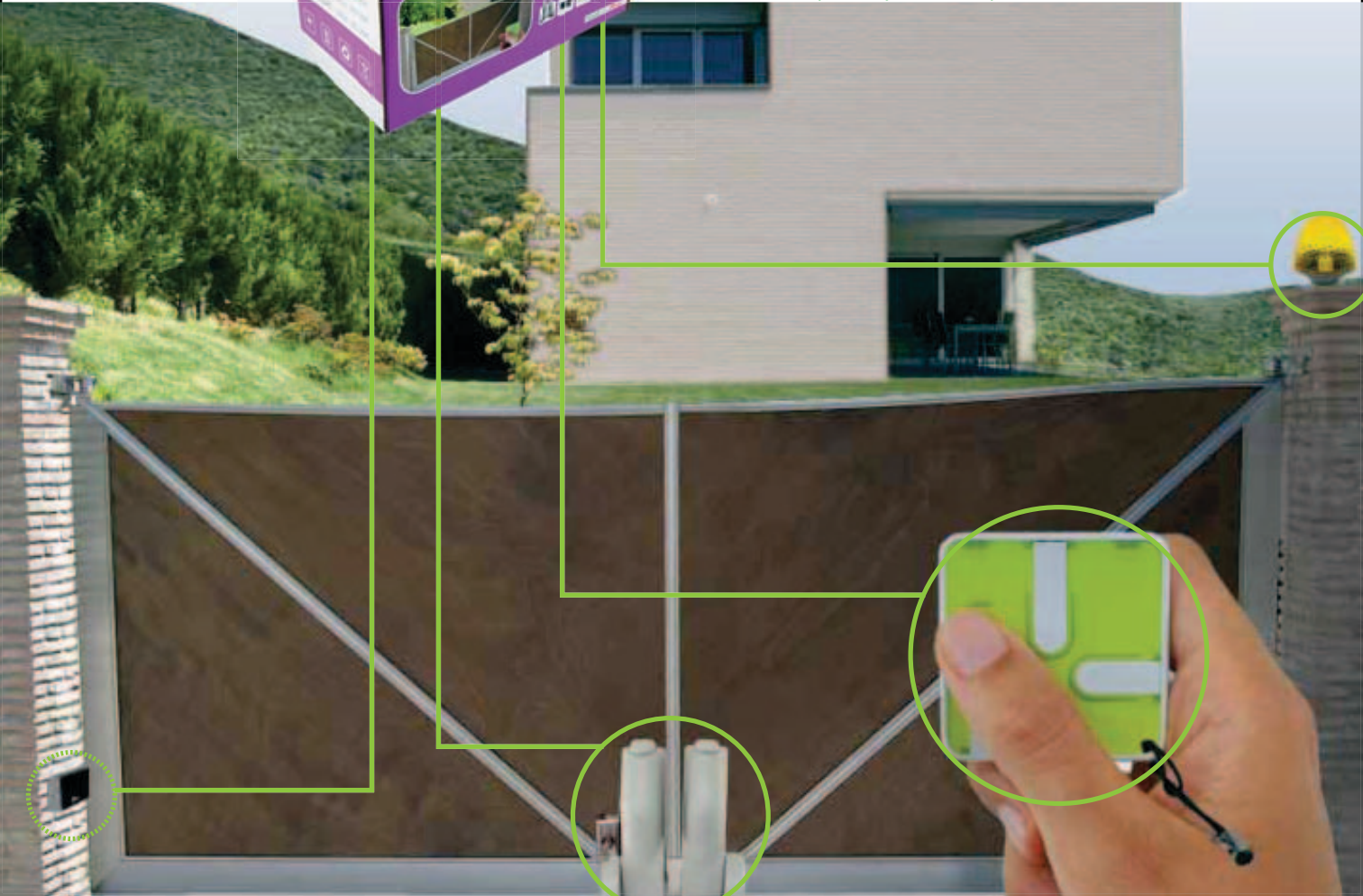
An unlimited opening angle and a peace-of-mind installation, regardless the pillar size, are its main characteristics. It can become the perfect solution for long and light gates, inwards or outwards openings or even for interior doors.

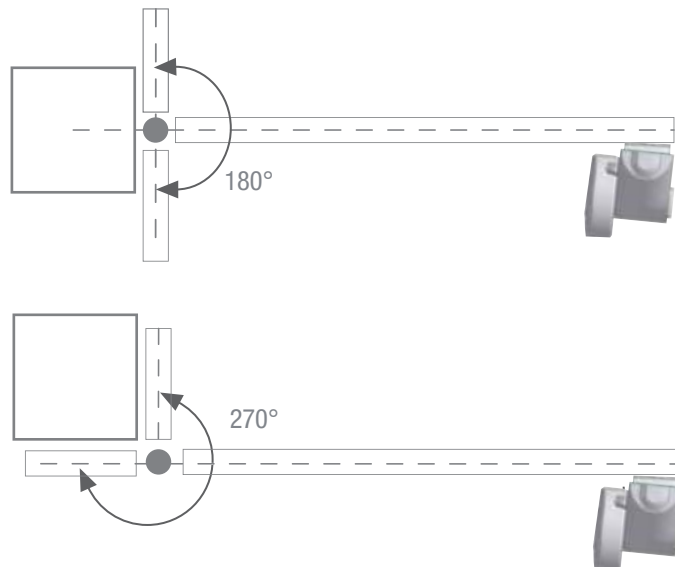
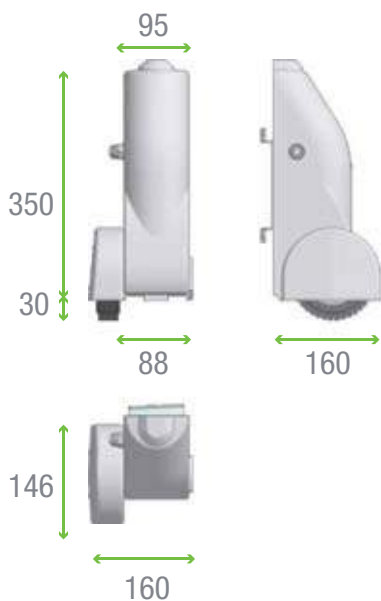
The fix bracket design allows the motor to compensate 20 cm gap caused by eventual inclination of the driveway.

It requires a good condition of the ground for the wheel to run properly.

It can be supplied in 230V, 115, 24V.

The 24V version is suitable for an intensive use and it can be equipped with a backup battery in case of power cut.





OPTIONAL

myFlow24

myFlow

Power supply	V	24Vdc	230V
Current	A	0,5 - 0,75	1,2 - 1,7
Motor power	W	50	280
Capacitor	μF	-----	8
Thermic protection	C°	-----	150
Max thrust	N/m	130	280
IP class protection	IP	44	44
Revolution speed	rpm	1600	1400
Opening speed	m/min	24	20
Duty cicle	%	80	30
Max. rise	mm	200	200
Max. inclination	deg	12°	12°

myFlow24

myFlow

24V

230V

NO LIMIT

NO LIMIT

150Kg

150Kg

