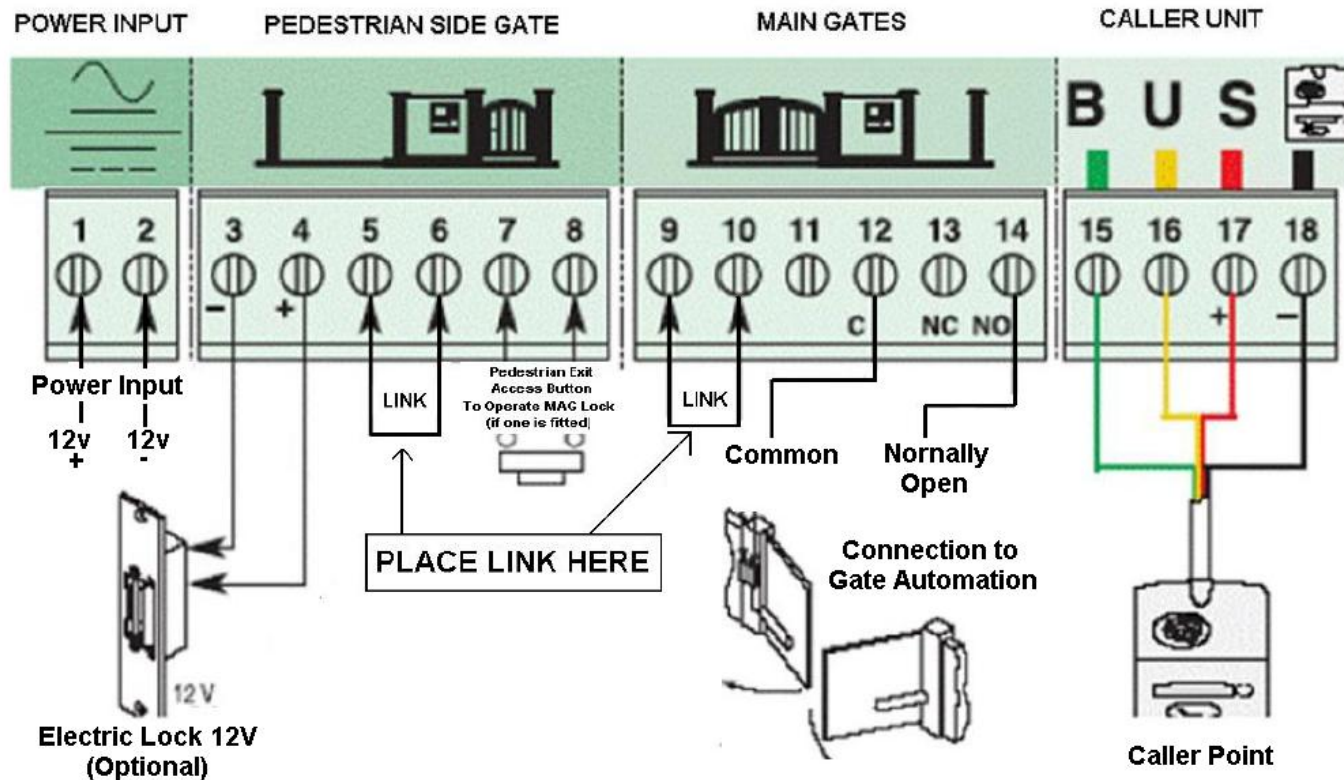


## Wiring Diagram for:- Daitem Wireless Intercom SC901 / SC902

# Control Board Connections

**For Connections - Look for your brand and control board model from list below. Terminal numbers correspond with the specific control board.**



Gate Control Board Type		Connection to Board Terminals	
Brand	Model	Common	Normally Open
PROTECO	Q60A & AR	8	1
	Q60S & SR	8	1
	Q71A & B	20	21
	Q71S	20	21
NICE	A60	20	26
	MC424	11	15
	MC824	Wire Both into OPEN then run "BlueBus Search"	
	POA1	11	15
	HKA1	Wire Both into OPEN then run "BlueBus Search"	
	RBA2	Wire Both into OPEN then run "BlueBus Search"	
	RBA3	Wire Both into OPEN then run "BlueBus Search"	
MHOUSE	CL2	Wire Both into OPEN then run "ESCbus Search"	
	CL20	Wire Both into OPEN then run "ESCbus Search"	
	WS1C	Wire Both into OPEN then run "ESCbus Search"	
	SL1K	Wire Both into OPEN then run "ESCbus Search"	
CAME	ZA3	B1	B2
	ZA4	2	3
	ZL180	2	7
	ZL24	2	7
FAAC	844T	5	2
	455D	14	9
	462DF	22	9
	452MPS	14	9
	780D	7	1