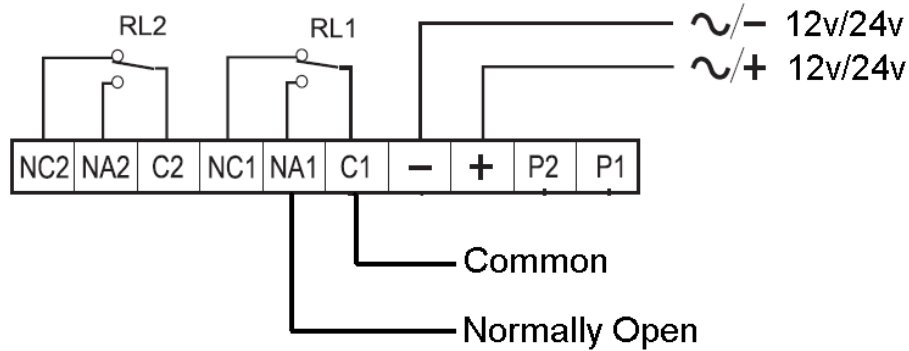


## Wiring Diagram for: - Farfisa FC52 Key Pad



## Control Board Connections

**For Connections - Look for your brand and control board model from list below. Terminal numbers correspond with the specific control board.**

Gate Control Board Type		Connection to Board Terminals			
Brand	Model	12V/24V +	12V/24V -	Common	Normally Open
PROTECO	Q60A & AR	8	10	8	1
	Q60S & SR	8	10	8	1
	Q71A & B	12	13	20	21
	Q71S	8	9	20	21
NICE	A60	18	17	20	26
	MC424	10	9	11	15
	MC824	Right Side of P.P	Left Side of STOP	Wire Both into OPEN then run "BlueBus Search"	
	POA1	10	9	11	15
	HKA1	Right Side of P.P	Left Side of STOP	Wire Both into OPEN then run "BlueBus Search"	
	RBA2	Right Side of P.P	Left Side of STOP	Wire Both into OPEN then run "BlueBus Search"	
	RBA3	Right Side of P.P	Left Side of STOP	Wire Both into OPEN then run "BlueBus Search"	
MHOUSE	CL2	Right Side of P.P	Left Side of STOP	Wire Both into OPEN then run "ESCBus Search"	
	CL20	Right Side of P.P	Left Side of STOP	Wire Both into OPEN then run "ESCBus Search"	
	WS1C	Right Side of P.P	Left Side of STOP	Wire Both into OPEN then run "ESCBus Search"	
	SL1K	Right Side of P.P	Left Side of STOP	Wire Both into OPEN then run "ESCBus Search"	
CAME	SL10K	Right Side of P.P	Left Side of STOP	Wire Both into OPEN then run "ESCBus Search"	
	ZA3	11	10	B1	B2
	ZA4	11	10	2	3
	ZL180	11	10	2	7
FAAC	ZLJ24	11	10	2	7
	844T	7	6	5	2
	455D	18	19	14	9
	462DF	24	23	22	9
	452MPS	18	19	14	9
	780D	8	9	7	1