

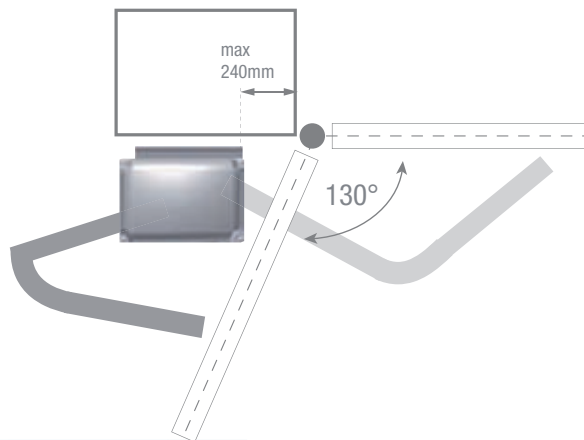
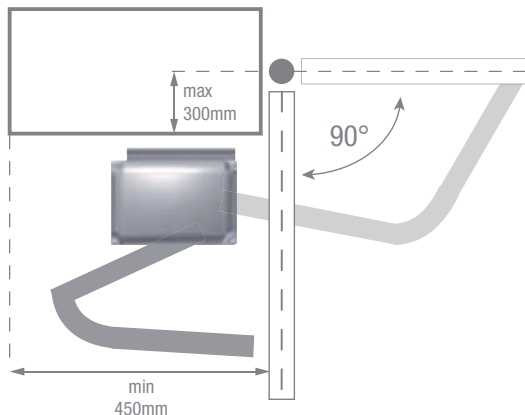


myHook

Electromechanical operator with articulated arm for swing gates up to 2 m.

A powerful noiseless electromechanical operator suitable for large pillars, inwards or outwards openings, wide angle openings. It can be used anytime a traditional operator meets a limitation. This operator owns an embedded control board and an adjustable electric limit-switch in order to safely adjust its cycles and meet most of the needs in terms of length and weights. This electromechanical operator can be supplied in 230V and 24V. The 24V version is suitable for an intensive use and it can be equipped with a backup battery in case of power cut.





OPTIONAL



myHook myHook24

Power supply	V	230V	24Vdc
Current	A	1,2 - 1,7	0,5 - 0,75
Motor power	W	300	50
Capacitor	μ F	10	-----
Thermic protection	C°	150°	-----
Max thrust	N/m	280	200
IP class protection	IP	44	44
Revolution speed	tr/min	1400	1600
Opening speed	sec	18"	14"
Duty cycle	%	40	80

myHook myHook24

230V	24V	
130°	130°	
250Kg	200Kg	
2m	2m	