



myAster

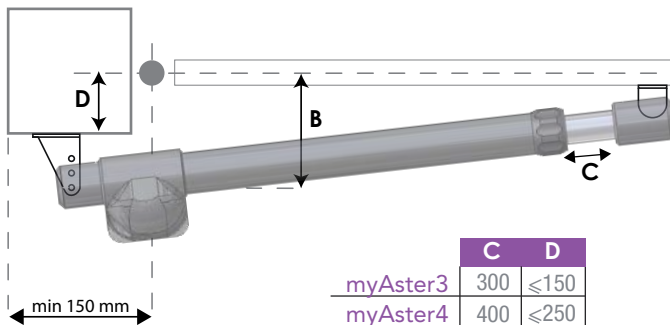
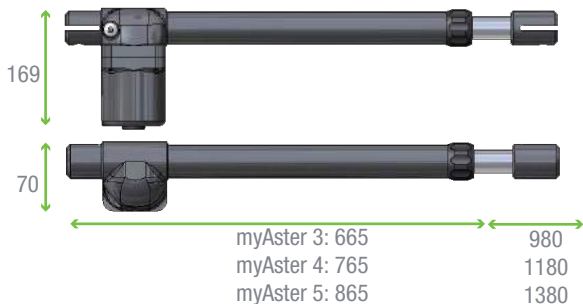
Electromechanical telescopic operator for swing gates up to 3,5 m.

A reliable long-lasting motor with a pipe fully made of aluminium, a strong gearing system made out of bronze are its main characteristics. This electromechanical operator owns a practical release system for manual operation and can easily fit any kind of swing gate under any weather condition.

Easy and quick installation, multi-position fixing brackets and wide choice of models.

Available in locked or reversible version, in 230V and 24V. The 24V systems are suitable for an intensive use and can be equipped with a backup battery in case of power cut.





	C	D
myAster3	300	≤150
myAster4	400	≤250
myAster5	500	≤275

Considerando un'installazione standard a 90°

myAster3

24V 230V

110° 110°

275Kg 350Kg

2m 2m

myAster4

24V 230V

110° 110°

250Kg 350Kg

2,50m 2,75m

myAster5

24V 230V

110° 110°

150Kg 250Kg

3,00m 3,50m



OPTIONAL



myAster3

myAster4

myAster5

Power supply	V	24Vdc	230V~50Hz	24Vdc	230V~50Hz	24Vdc	230V~50Hz
Current	A	0,5 - 0,75	1,2 - 1,7	0,5 - 0,75	1,2 - 1,7	0,5 - 0,75	1,2 - 1,7
Motor power	W	50	280	50	280	50	280
Capacitor	μF	-----	8	-----	8	-----	8
Thermic protection	C°	-----	150°	-----	150°	-----	150°
Max. thrust	N	2500	2800	2500	2800	2500	2800
IP rate	IP	44	44	44	44	44	44
Revolutions speed	rpm	1600	1400	1600	1400	1600	1400
Opening speed	sec	15"	17"	20"	22"	25"	27"
Duty cycle	%	80	40	80	40	80	40